



Human Machine Interface Installation Guide

XGT Panel

- eXP2-04□□D Series
- eXP2-05□□D Series
- eXP2-07□□D Series
- eXP2-10□□D Series



This installation guide provides simple function information of HMI control. Please read carefully this data sheet and manuals before using products. Especially read safety precautions and handle the products properly.

1 Safety Precautions

Meaning of warning and caution inscription

	<b>WARNING</b>	WARNING indicates a potentially hazardous situation which, if not avoided, could result in death or serious injury
	<b>CAUTION</b>	CAUTION indicates a potentially hazardous situation which, if not avoided, may result in minor or moderate injury. It may also be used to alert against unsafe practices

**WARNING**

- ① Do not contact the terminals while the power is applied.
- ② Protect the product from being gone into by foreign metallic matter.
- ③ Do not manipulate the battery.(Charge, disassemble, hitting, short, soldering)

**CAUTION**

- ① Be sure to check the rated voltage and terminal arrangement before wiring.
- ② When wiring, tighten the screw of terminal block with the specified torque rage.
- ③ Do not install the flammable things on surroundings.
- ④ Do not use the HMI in the environment of direct vibration.
- ⑤ Except expert A/S staff, do not disassemble or fix or modify the product.
- ⑥ Use the HMI in an environment that meets the general specifications contained in this datasheet.
- ⑦ Be sure that external load does not exceed the rating of output module.
- ⑧ When disposing of HMI and battery, treat it as industrial waste.

2 Operating Environment

To install, observe the below conditions.

No	Item	Specification	Standard				
1	Ambient temp.	0℃ ~ 50℃	-				
2	Storage temp	-20℃ ~ 60℃	-				
3	Ambient humidity	10 ~ 85%RH, non-condensing	-				
4	Storage humidity	10 ~ 85%RH, non-condensing	-				
5	Vibration Resistance	Occasional vibration		10 times in each direction for X, Y, Z	IEC 61131-2		
		Frequency	Acceleration			Amplitude	Count
		5 ≤ f < 9Hz	-			3.5mm	-
		9 ≤ f ≤ 150Hz	9.8m/s <sup>2</sup> (1g)			-	-
		Continuous vibration					
		Frequency	Acceleration			Amplitude	
5 ≤ f < 9Hz	-	1.75mm	-				
9 ≤ f ≤ 150Hz	4.9m/s <sup>2</sup> (0.5g)	-	-				

3 Applicable Support Software

For system configuration, the following version is necessary.

- 1) Windows CE : V1.00 above
- 2) XP-Runtime/ XP-Builder : V3.40 above

4 Accessories

Check the battery attached in the XGT Panel.

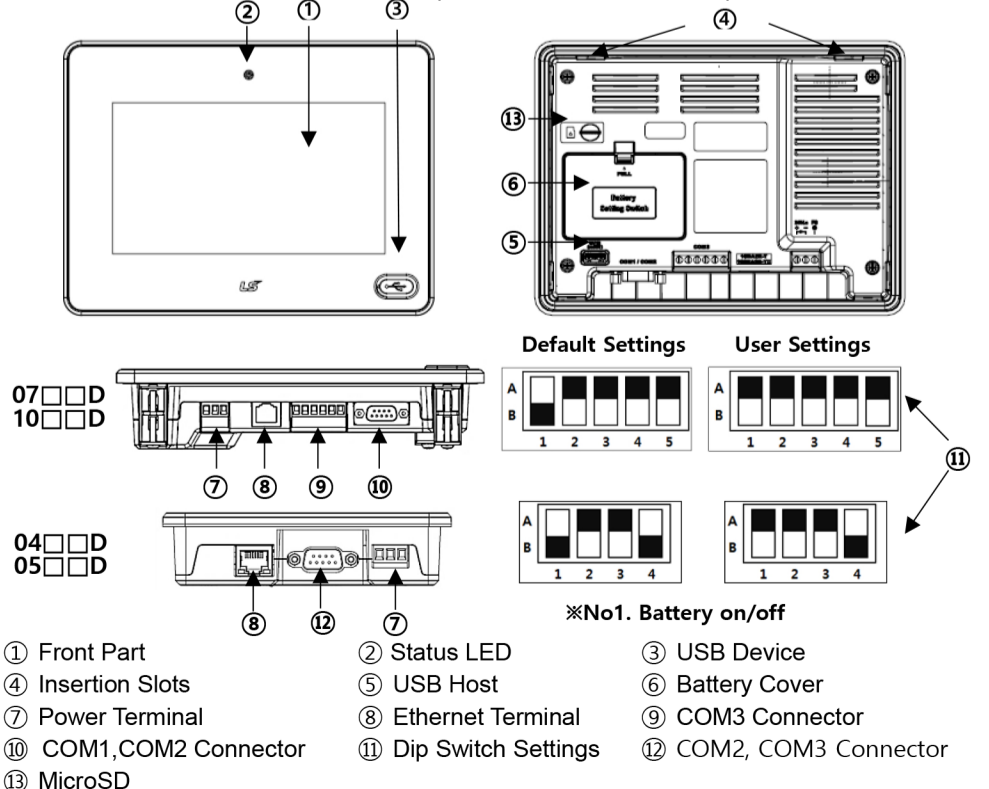
- 1) Use : Operating RTC when power Off
- 2) Standard : CR2032

Check the mounting Brackets in the box

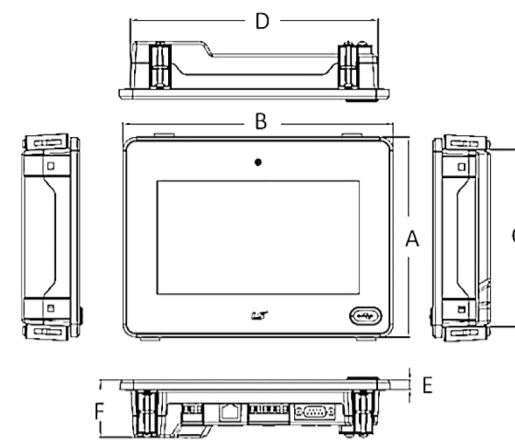
- 1) Bracket Quantity : 1 set(four for 04/05/07□□D, Six for 10□□D Series)

5 Parts name and Dimension(mm)

This is appearance of the eXP2. Refer to each name when driving the system. Please refer to the user's manual for details on the composition and name of each product.



Dimension

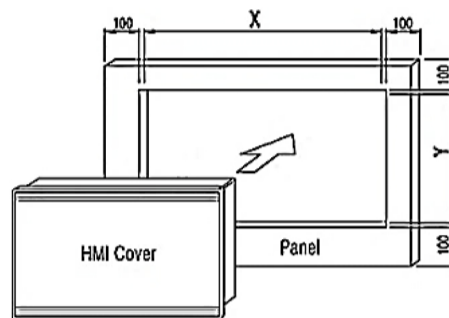


Item	04□□D	05□□D	07□□D	10□□D
A	102.0	132.5	154.0	218.0
B	128.0	165.0	208.0	276.2
C	92.5	123.0	137.5	201.5
D	118.5	155.5	191.5	259.5
E	5.5	5.5	7.4	
F	32.0	36.1	44.4	

6 Installation

When you install the XGT Panel, a panel, designed to mount the XGT Panel inside should be specified and allowed for.

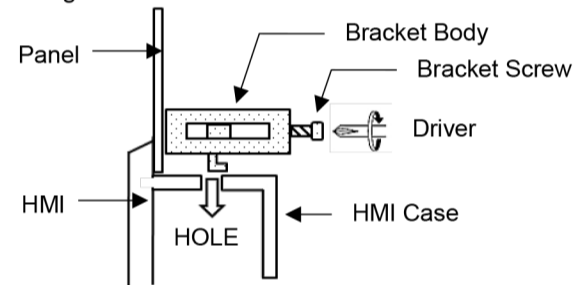
1) Panel Cut Dimensions (Unit: mm)



Item	Dimension		Tolerance	
	X	Y		
04□□D	119	93	+ 1	- 0
05□□D	156	123.5	+ 1	- 0
07□□D	192	138	+ 1	- 0
10□□D	260	202	+ 1	- 0

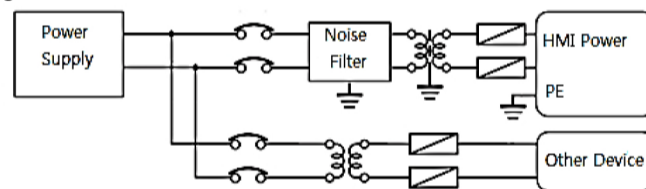
2) Mounting XGT Panel

- ① Ensure that there is 100mm clearance around all sides of the panel to be affected at a minimum by the electromagnetic wave or heat.
- ② The panel thickness (Z) should be 1.6 ~ 9.5mm.
- ③ Insert the mounting brackets into the insertion slots. Tightening the screws with too much force can damage the product. (The recommend torque is 0.66N · m)
- ④ Use screwdriver to tighten brackets screw as illustration shown.



7 Wiring

Power wiring



Item	eXP2-04□□D	eXP2-05□□D	eXP2-07□□D	eXP2-10□□D
Rated voltage	DC 24V			

- 1) In case that the power is out of rated voltage, connect constant voltage transformer.
- 2) Connect the power having the small noise between cables or between earths. In case of having lots of noise, connect the insulation transformer or noise filter.
- 3) Separate the XGT Panel power supply cable from the main circuit cable (high voltage and current) and input/output cable.
- 4) Use the third grounding resistance (less than 100Ω) and use cables with a cross sectional area greater than 2.0 mm<sup>2</sup>.

8 Warranty

Warranty period

LS ELECTRIC provides an 18-month-warranty from the date of the production.

Scope of Warranty

- 1) The troubles caused by improper condition, environment or treatment except the instructions of LS ELECTRIC.
- 2) The troubles caused by external devices.
- 3) The troubles caused by remodeling or repairing based on the user's own discretion.
- 4) The troubles caused by improper usage of the product.
- 5) The troubles caused by the reason which exceeded the expectation from science and technology level when LS ELECTRIC manufactured the product.
- 6) The troubles caused by natural disaster.

LS ELECTRIC Co., Ltd. [www.ls-electric.com](http://www.ls-electric.com) 10310001786 V1.1 (2022.07)

E-mail: [automation@ls-electric.com](mailto:automation@ls-electric.com)



- Headquarter/Seoul Office      Tel: 82-2-2034-4033,4888,4703
- LS ELECTRIC Shanghai Office (China)      Tel: 86-21-5237-9977
- LS ELECTRIC (Wuxi) Co., Ltd. (Wuxi, China)      Tel: 86-510-6851-6666
- LS-ELECTRIC Vietnam Co., Ltd. (Hanoi, Vietnam)      Tel: 84-93-631-4099
- LS ELECTRIC Middle East FZE (Dubai, U.A.E.)      Tel: 971-4-886-5360
- LS ELECTRIC Europe B.V. (Hoofddorf, Netherlands)      Tel: 31-20-654-1424
- LS ELECTRIC Japan Co., Ltd. (Tokyo, Japan)      Tel: 81-3-6268-8241
- LS ELECTRIC America Inc. (Chicago, USA)      Tel: 1-800-891-2941

• Factory: 56, Samseong 4-gil, Mokcheon-eup, Dongnam-gu, Cheonan-si, Chungcheongnam-do, 31226, Korea