

# Single Point Load Cell 5~100kgf

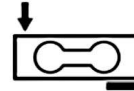
## AB150

LOAD CELL

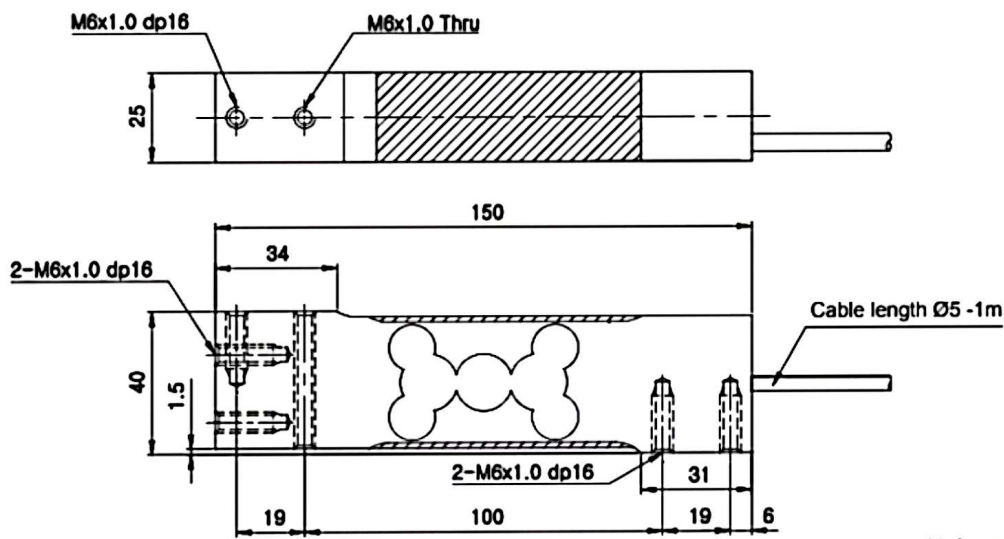


### Feature

- Compression Application
- Aluminum
- Protection Class IP65



Rated Capacity (R.C)	kgf / tf	5, 10, 15, 20, 30, 50, 75, 100 kgf
Rated Output (R.O)	mV/V	2.0 ± 0.2
Zero Balance	mV/V	0 ± 0.1
Combined Error	%	0.03
Repeatability	%	0.01
Creep (30min)	%	0.017
Temperature Effect on		
Zero Value	%/10°C	0.014
Output Value	%/10°C	0.011
Excitation		
Recommended	V	10
Maximum	V	15
Resistance		
Input	Ω	400 ± 20
Output	Ω	350 ± 3.5
Insulation	MΩ	>2,000@DC 50V
Compensated Temp Range	°C	-10 ~ +40
Operating Temp Range	°C	-20 ~ +80



STANDARD  
CABLE LENGTH

1M

CABLE COLOR CODE

EXC +	(RED)
EXC -	(WHITE)
SIG +	(GREEN)
SIG -	(BLUE, BLACK)
SHLD	(YELLOW)

Unit : mm